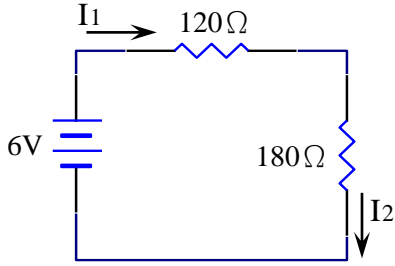


# 「基本電學實習 I」串並聯電路測量

## 實習一



1. 電阻量測值：120Ω = \_\_\_\_\_ 180Ω = \_\_\_\_\_

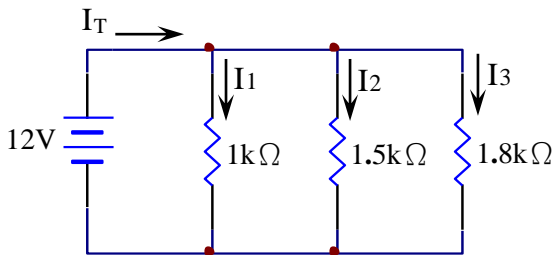
2. 計算值：V<sub>120Ω</sub> = \_\_\_\_\_ V<sub>180Ω</sub> = \_\_\_\_\_

I<sub>1</sub> = \_\_\_\_\_ I<sub>2</sub> = \_\_\_\_\_

P<sub>120Ω</sub> = \_\_\_\_\_ P<sub>180Ω</sub> = \_\_\_\_\_

3. 量測值：V<sub>120Ω</sub> = \_\_\_\_\_ V<sub>180Ω</sub> = \_\_\_\_\_ I<sub>1</sub> = \_\_\_\_\_ I<sub>2</sub> = \_\_\_\_\_

## 實習二



1. 電阻量測值：1kΩ = \_\_\_\_\_

1.5kΩ = \_\_\_\_\_

1.8kΩ = \_\_\_\_\_

2. 計算值：V<sub>1kΩ</sub> = \_\_\_\_\_ V<sub>1.5kΩ</sub> = \_\_\_\_\_ V<sub>1.8kΩ</sub> = \_\_\_\_\_

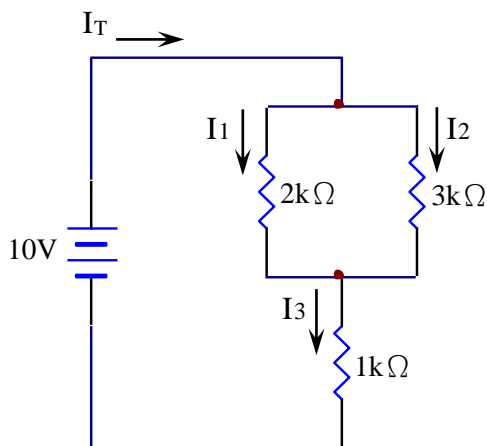
I<sub>T</sub> = \_\_\_\_\_ I<sub>1</sub> = \_\_\_\_\_ I<sub>2</sub> = \_\_\_\_\_ I<sub>3</sub> = \_\_\_\_\_

P<sub>1kΩ</sub> = \_\_\_\_\_ P<sub>1.5kΩ</sub> = \_\_\_\_\_ P<sub>1.8kΩ</sub> = \_\_\_\_\_

3. 量測值：V<sub>1kΩ</sub> = \_\_\_\_\_ V<sub>1.5kΩ</sub> = \_\_\_\_\_ V<sub>1.8kΩ</sub> = \_\_\_\_\_

I<sub>T</sub> = \_\_\_\_\_ I<sub>1</sub> = \_\_\_\_\_ I<sub>2</sub> = \_\_\_\_\_ I<sub>3</sub> = \_\_\_\_\_

## 實習三



1. 電路總電阻計算值 = \_\_\_\_\_ 量測值 = \_\_\_\_\_

2. 計算值：V<sub>2kΩ</sub> = \_\_\_\_\_ V<sub>3kΩ</sub> = \_\_\_\_\_

V<sub>1kΩ</sub> = \_\_\_\_\_

I<sub>T</sub> = \_\_\_\_\_ I<sub>1</sub> = \_\_\_\_\_

I<sub>2</sub> = \_\_\_\_\_ I<sub>3</sub> = \_\_\_\_\_

3. 量測值：V<sub>2kΩ</sub> = \_\_\_\_\_ V<sub>3kΩ</sub> = \_\_\_\_\_ V<sub>1kΩ</sub> = \_\_\_\_\_

I<sub>T</sub> = \_\_\_\_\_ I<sub>1</sub> = \_\_\_\_\_ I<sub>2</sub> = \_\_\_\_\_ I<sub>3</sub> = \_\_\_\_\_